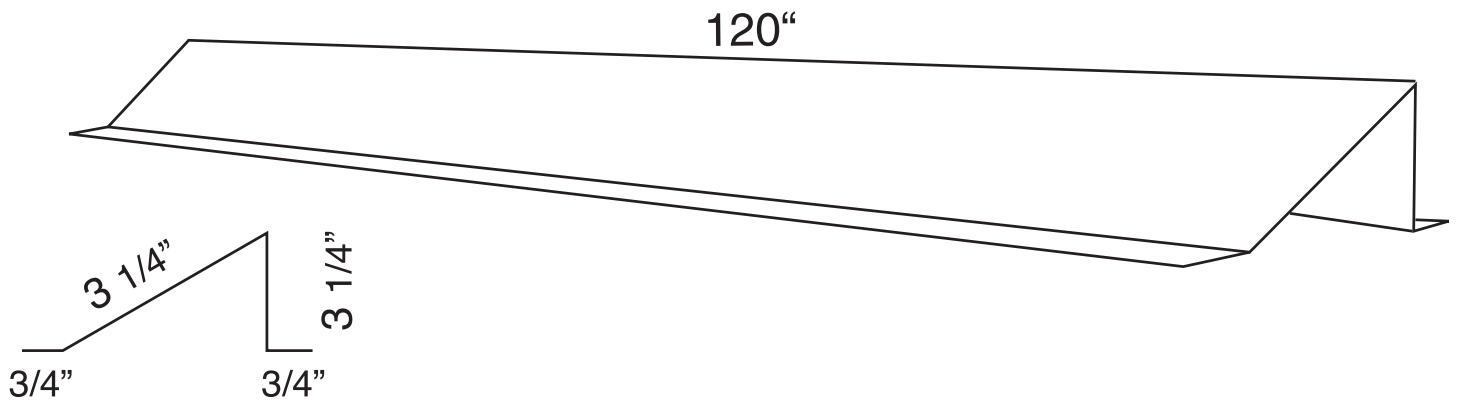


Snow Stop



How Snow Stops work.

Snow Stops help prevent snow or ice from sliding off metal roofing. Recommended for heavy snow load locations

Snow Stops help hold snow and ice on the roof and allows them to melt gradually. This makes steel roofing safer and more suitable for busy locations such as doorways, sidewalks and public shelters. Snow Stops also help to save eavestroughing from being torn off or damaged. Available in ten foot lengths or you can cut to smaller pieces.

- 10ft. lengths
- Easy to install
- Fits any roof line – profiled or ribbed
- Protects eavestroughs
- Does not block water flow
- Available in all colours

Steel Tile Co. is not responsible for falling snow and or ice damage. Snow Stops help prevent snow and ice from sliding. Regional snowload conditions vary from location to location. Additional Snow Stops may be required for areas with heavier snowfall or on long steep roofs. We recommend you consult your distributor or installer before applying.